

VICTOR[®]

WE LISTENED.
WE DELIVERED.



The New 400 Series Torches,
with Patented Handles and the
New G Series Regulators

Patent # D672,378



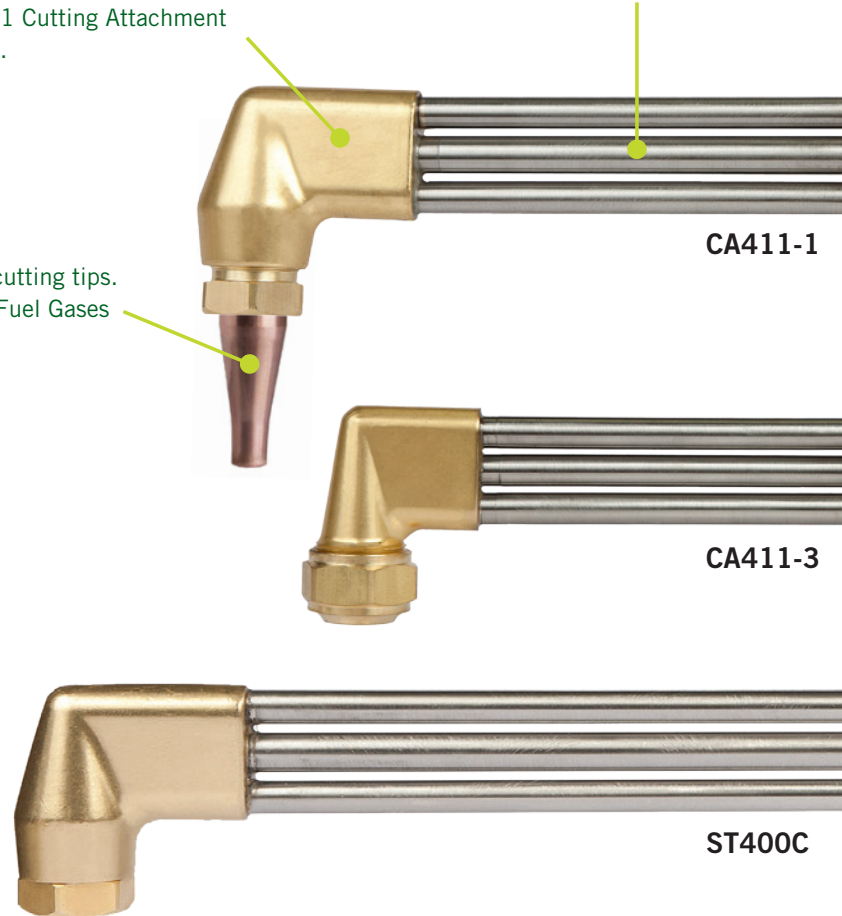
The Innovative New 400 Series Cutting Attachments, Patented Handles, Straight Torch and G Series Regulators

Victor® has been the leader in gas equipment since our humble beginnings in 1913. We couldn't have done it without you, our users. Developing innovative products can be a difficult task. That is why we listened to our End-Users, and with your support and feedback, we have developed the new 400 Series Cutting Attachment, Handle and Straight Torch. All designed to be durable, comfortable, and easy to use, for YOU the User.

Efficient Universal Spiral Head Mixer reduces Torch Profile for Better Visibility. Optimized to use 1 Cutting Attachment for All Fuel Gases.

Inline stainless tubes for better visibility and reduced profile vs triangular design.

Uses #000 - #6 cutting tips. One torch for All Fuel Gases (with proper tip).



Victor ... Leading the Advancement of Cutting and Gas Control Solutions.



Medalist 250

- Medium Duty Construction
- Built-In Check Valves
- One Cutting Attachment for All Fuel Gases (with proper tip)
- G250 Series Regulators
- 5 Year Warranty



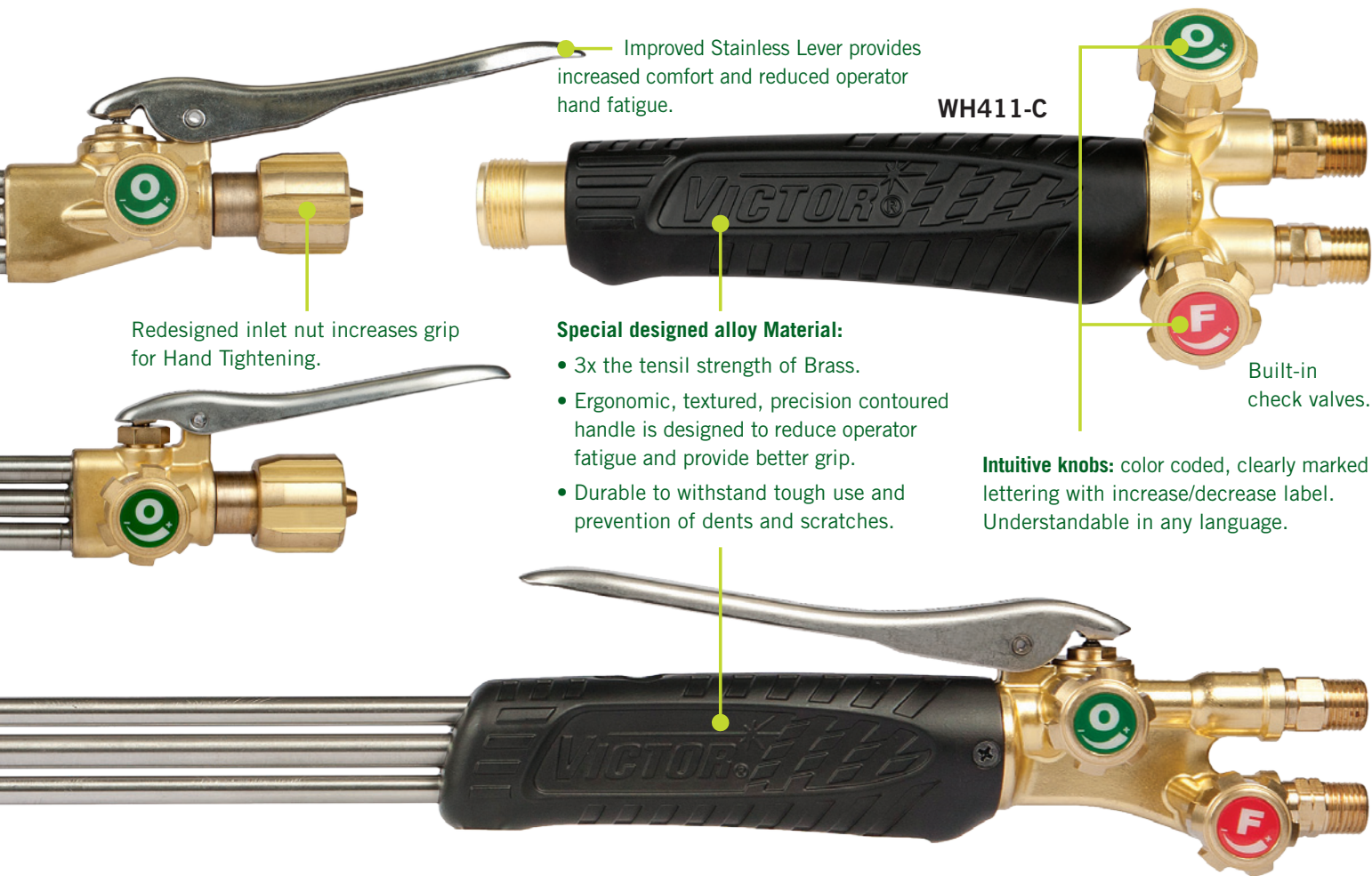
Medalist 350

- Heavy Duty Construction
- Built-In Check Valves
- One Cutting Attachment for All Fuel Gases (with proper tip)
- G350 Series Regulators
- 5 Year Warranty



Cutter ST400C

- Extra Heavy Duty
- Heavy Fabrication, Oil & Gas, Demolition & Recycling
- Built-In Check Valves
- Precision Balanced for Operator Comfort
- G350 Series Regulators
- 5 Year Warranty



Improved Stainless Lever provides increased comfort and reduced operator hand fatigue.

WH411-C

Redesigned inlet nut increases grip for Hand Tightening.

Special designed alloy Material:

- 3x the tensile strength of Brass.
- Ergonomic, textured, precision contoured handle is designed to reduce operator fatigue and provide better grip.
- Durable to withstand tough use and prevention of dents and scratches.

Built-in check valves.

Intuitive knobs: color coded, clearly marked lettering with increase/decrease label. Understandable in any language.

It's **Durable**. The patented 400 Series Handle is made from a specially-designed high strength alloy that is three times the yield strength of forged brass.

It's **Comfortable** and fits naturally in the hand with the textured, no-slip grip and ergonomic lever position. The torch is more balanced and boasts better visibility with its inline tube design and low profile head.

Ease of Use when it matters most. Victor color coded and labeled the oxygen and fuel knobs for instant identification and easier operation by indicating directions for open and close.

Patent # D672,378

G Series Regulators

Safety

Meets or exceeds Industry Safety standards.

Performance

Specially contoured body design.

Ease of use

Easy to grip knob.



Easy to read high contrast gauges for clarity. Scale and red tick mark to indicate actual service pressure.

Color Coded Knobs indicate gas type. Designed for better comfort when adjusting gas pressure.

High Strength alloy bonnet with nearly twice the yield strength of brass.

Lower profile regulator with less knob stickout.



SYSTEMS

PART NO	DESCRIPTION	TORCH HANDLE	CUTTING ATTACHMENT	WELDING NOZZLE	CUTTING TIP	HEATING TIP	OXYGEN REGULATOR	FUEL GAS REGULATOR
0384-2540	G250-540/510 Medalist® 250	WH411C	CA411-3	0-UM-250	0-3-101	—	G250-150-540	G250-15-510
0384-2541	G250-540/300 Medalist 250	WH411C	CA411-3	0-UM-250	0-3-101	—	G250-150-540	G250-15-300
0384-2544	G250AF-540/510LP w/ 6MFN1 Propane Medalist 250	WH411C	CA411-3	—	1-3-GPN	6-MFN-1	G250-150-540	G250-60-510LP
0384-2545	G250AF-540/510LP w/ 6MFN1 Propylene Medalist 250	WH411C	CA411-3	—	1-3-GPP	6-MFN-1	G250-150-540	G250-60-510LP
0384-2690	G350-540/510 Medalist® 350	WH411C	CA411-1	2-UM-350	1-1-101	—	G350-150-540	G350-15-510
0384-2691	G350-540/300 Medalist 350	WH411C	CA411-1	2-UM-350	1-1-101	—	G350-150-540	G350-15-300
0384-2692	G350AF-510LP w/ 8MFN Propane Medalist 350	WH411C	CA411-1	—	1-GPN	8-MFN	G350-150-540	G350-60-510LP
0384-2694	ST400C Cutter Kit (540/510)	ST400C	—	—	2-1-101	—	G350-150-540	G350-15-510
0384-2695	ST400C Cutter Kit (540/300)	ST400C	—	—	2-1-101	—	G350-150-540	G350-15-300

TORCHES AND HANDLES

PART NO	DESCRIPTION	CUTTING TIP SERIES	FUEL TYPE	WARRANTY
0381-1939	CA411-3 Victor® Cutting Attachment	3	ALL	5 YEARS
0381-1940	CA411-1 Victor Cutting Attachment	1	ALL	5 YEARS
0382-0355	WH411C Victor Handle	—	—	5 YEARS
0381-1987	ST400 Victor Straight Torch	1	ALL	5 YEARS

REGULATORS

PART NO.	MODEL NO.	DUTY	PRESSURE (PSIG)	CGA	GAS TYPE	SERIES	TYPE
0781-9400	G250-150-540	MEDIUM	150	540	OXYGEN	G	SS
0781-9405	G250-15-510	MEDIUM	15	510	ACETYLENE	G	SS
0781-9406	G250-15-300	MEDIUM	15	300	ACETYLENE	G	SS
0781-9410	G250-60-510LP	MEDIUM	60	510	LPG	G	SS
0781-9415	G350-150-540	HEAVY	150	540	OXYGEN	G	SS
0781-9416	G350-150-580	HEAVY	150	580	INERT	G	SS
0781-9420	G350-15-510	HEAVY	15	510	ACETYLENE	G	SS
0781-9421	G350-15-300	HEAVY	15	300	ACETYLENE	G	SS
0781-9422	G350-60-510LP	HEAVY	60	510	LPG	G	SS

ACCESSORIES

FLASHBACK ARRESTOR PAIR PACKS*

PART NO	MODEL NO	FUEL TYPE	DESCRIPTION	CONNECTION
0656-0001	Flamebuster FB-1	Oxy/Fuel	Torch Mount	"B" 9/16" - 18 RH/LH (CGA 022 & 023)
0656-0006	FBT-2	Oxy/Fuel	Torch Mount	

FLASHBACK ARRESTORS*

0657-0010	Flamebuster FB-0	Oxygen	Torch Mount	"B" 9/16" - 18 RH (CGA 022)
0657-0011	Flamebuster FB-F	Fuel	Torch Mount	"B" 9/16" - 18 LH (CGA 023)

*Victor recommends using add-on flashback arrestors if torches are not equipped with built-in versions.