

Warrior™ YardFeed 200

Portable wire feeder for hard-to-reach areas



Warrior YardFeed 200 comes standard with a gas flow meter, heating kit, control panel protection and cable strain relief.

The new Warrior™ YardFeed 200 is a highly portable wire feeder with pre-settable wire feed speed. The small footprint provides the convenience to fit through manholes and portals, and the flexibility to weld in hard-to-reach areas. Warrior YardFeed 200 is part of the Warrior CC/CV product family.

- **Sturdy design** features a high-strength steel casing and steel frame to protect controls and connectors
- **Easy handling** in cramped spaces
- **4-wheel feeder** mechanism with encoder feedback for superior wire feeding
- **Sun friendly** digital V/A and wire feed speed displays
- Variant with water connectors for water-cooled torches available

Industry

- Industrial and General Fabrication
- Offshore Oil
- Ship/Barge Building

Visit esab.com for more information.



Warrior™ YardFeed 200

Specifications	
Supply voltage, VAC	42
Power requirement, VA	252
Wire spool capacity, lb (kg)	15 (7)
Max. spool diameter, in. (mm)	8 (200)
Wire feed speed, ipm (m/min)	75-985 (1.9-25.0)
Wire diameter, in (mm): Solid Wire Stainless Steel Aluminum Flux Cored	.023-.045 (0.6-1.2) .023-.045 (0.6-1.2) .040-.045 (1.0-1.2) .030-1/16 (0.8-1.6)
Max. permissible load, A @ duty cycle	365 @ 60%
Operating temperature, °F (°C)	14-104 (-10-40)
Wire feeder dimensions incl. frame, L x W x H, in. (mm)	23.4x8.5x12.8 (595x215x325)
Enclosure class	IP23S
Certification labels	CSA

Ordering Information	
Description	Part Number
Warrior YardFeed 200, air-cooled	0459906900
Warrior YardFeed 200w, water-cooled	0459906901

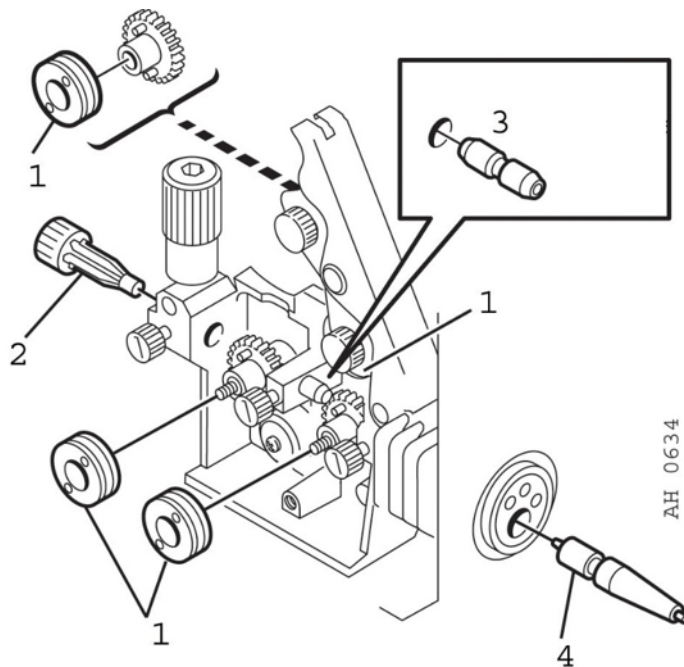
Options & Accessories	
Description	Part Number
Interconnection Cable - 70mm ² , Air-Cooled, 6.5 ft. (2 m)	0459836880
Interconnection Cable - 70mm ² , Air-Cooled, 16.4 ft. (5 m)	0459836881
Interconnection Cable - 70mm ² , Air-Cooled, 33 ft. (10 m)	0459836882
Interconnection Cable - 70mm ² , Air-Cooled, 49 ft. (15 m)	0459836883
Interconnection Cable - 70mm ² , Air-Cooled, 82 ft. (25 m)	0459836884
Interconnection Cable - 70mm ² , Air-Cooled, 115 ft. (35 m)	0459836885
Interconnection Cable - 70mm ² , Water-Cooled, 6.5 ft. (2 m)	0459836890
Interconnection Cable - 70mm ² , Water-Cooled, 16.4 ft. (5 m)	0459836891
Interconnection Cable - 70mm ² , Water-Cooled, 33 ft. (10 m)	0459836892
Interconnection Cable - 70mm ² , Water-Cooled, 49 ft. (15 m)	0459836893
Interconnection Cable - 70mm ² , Water-Cooled, 82 ft. (25 m)	0459836894
Interconnection Cable - 70mm ² , Water-Cooled, 115 ft. (35 m)	0459836895

Warrior™ YardFeed 200

Wear & Spare Parts

Wire Diameter, in. (mm)	Wire Type	1 Feeder Roller (4 required)	2 Inlet Nozzle	3 Intermediate Nozzle	4 Outlet Nozzle	Groove Type	Marking
.023/.030 (0.6-0.8)	Fe, Ss, C	0459052001	0455049001	0455072002	0469837880	V	0.6 S2/0.8 S2
.030/.035-.040 (0.8/0.9-1.0)	Fe, Ss, C	0459052002	0455049001	0455072002	0469837880	V	0.8 S2/1.0 S2
.035-.040/.045 (0.9-1.0/1.1)*	Fe, Ss, C	0459052003	0455049001	0455072002	0469837880	V	1.0 S2/1.2 S2
.052/1/16 (1.3/1.6)	Fe, Ss, C	0459052013	0455049001	0455072002	0469837880	V	1.4 S2/1.6 S2
.035-.040/.045 (0.9-1.0/1.1)	C	0458825001	0455049001	0455072002	0469837880	V-K	1.0 R2/1.2 R2
.045/.045 (1.1/1.1)	C	0458825010	0455049001	0455072002	0469837880	V-K	1.2 R2/1.2 R2
.045/.052 (1.1/1.3)	C	37319	0455049001	0455072002	0469837880	V-K	1.0 R2/1.4 R2
1/16-5/64 (1.6-2.0)	C	37320	0455049001	0455072002	0469837880	V-K	1.6 R2
.035-3/64 (0.8-1.2)	Al	36860	0455049001	0456615001	0469837881	U	0.8 A2/1.2 A2
3/64-1/16 (1.2-1.6)	Al	36861	0455049001	0456615001	0469837881	U	1.2 A2/1.6 A2

*As delivered. C = cored wire, K = knurled groove.



ESAB / esab.com



COMPANY WITH
MANAGEMENT SYSTEM
CERTIFIED BY DNV
= ISO 9001 =
= ISO 14001 =
= OHSAS 18001 =