

# Swarm A10

## Auto-Darkening Welding Helmet



*Swarm A-10*

### Welding Processes

- SMAW / MMA (Stick)
- MIG / MAG (GMAW)
- Air Carbon Arc and Cutting (CAC-A)

Swarm A10 is the ideal choice for affordable, performance-driven welding protection. The auto darkening filter (ADF) is fixed to shade 11 to cover a wide range of welding applications, while providing a generous viewing area with excellent optics. A handy ADF test button ensures the ADF is working before putting the helmet to use. The replaceable battery is boosted by a back-up solar cell to maximize life between battery changes.

Swarm A10 covers all common welding processes, including stick electrodes (SMAW) and MIG/MAG (GMAW), in a lightweight, streamlined shell that is comfortable to wear all day long.

- ADF viewing area: 92 x 42mm (3.6 x 1.65 in.)
- Active lens shade: DIN 11 (fixed)
- Grind Mode
- CE Optical class: 1/1/1/2
- Arc sensors: 2
- 2-position adjustable delay and 3-position adjustable sensitivity
- Replaceable CR2032 batteries (2)
- Low battery indicator LED

Visit [esab.com](http://esab.com) for more information.



*Lightweight, streamlined shell design  
with 1/1/1/2 CE optical clarity.*

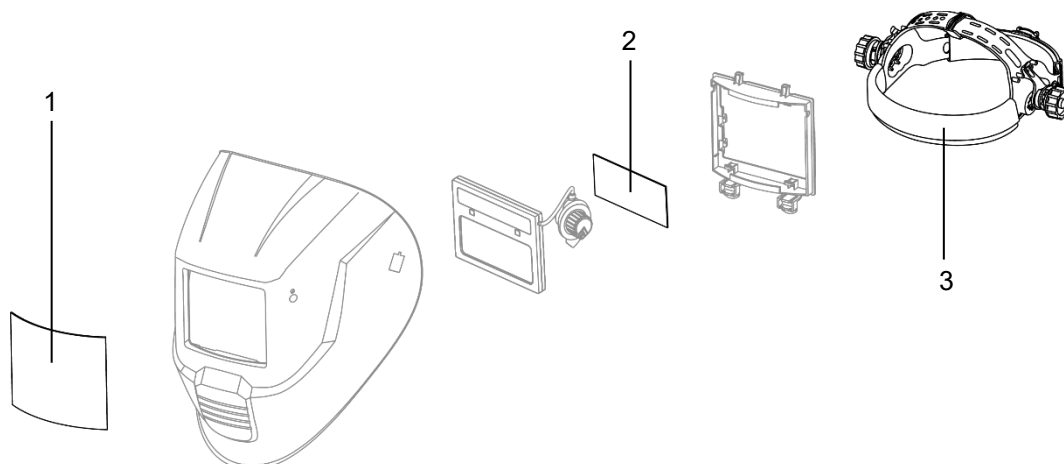
# Swarm A10 Welding Helmet

Specifications	
Viewing Area	92 x 42 mm (3.6 x 1.65 in.)
Active Lens Shade	11 (fixed)
Passive Lens Shade	3
Power Supply	2 CR2032 batteries, replaceable
Arc Sensors	2
Switch Time (Light to Dark)	0.1 millisecond
CE Optical Classification	1/1/1/2
Standards and Certifications	CE: EN175; EN379; EN166   ANSI: Z87.1   CSA: Z94.3   Brazil CA
Weight	480g (1.05 lb)

Ordering Information	
Description	Part Number
Swarm A10 Helmet	0700102042

Delivery includes: Full helmet assembly

Spare Parts		
3	Swarm A10 Auto Darkening Filter (ADF)	0700102034
4	Swarm A10 / A20 Inner Cover Lens 5 PCS	0700102038
5	Swarm A10 / A20 ADF Retainer	0700102035



ESAB / esab.com

